



IV. Pad List with Photos

1.3 ROUND - Cylindrical with Conical Print Surface

0470

5 g
Aluminium shaft M6

0538

4 g
Aluminium shaft M6

1189

2 g
Aluminium shaft M4

0383

6 g
Aluminium shaft M6

0363

3 g
Aluminium shaft M6

0521

4 g
Aluminium shaft M6

0522

6 g
Aluminium shaft M6

0605

6 g
Aluminium shaft M6

0539

12 g
Aluminium shaft M6

0405

11 g
Aluminium shaft M6

0415

11 g
Hollow Alumin. shaft M6

0525

14 g
Aluminium shaft M10



IV. Pad List with Photos

1.3 ROUND - Cylindrical with Conical Print Surface (continued)

0198




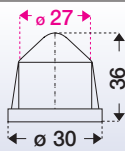

18 g
Aluminium shaft M6

0095




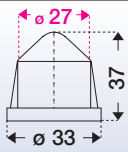

27 g

0431

25 g
wooden shaft with an M6 thread

0600

40 g
Aluminium shaft M6

1144




58 g

1143




172 g

0999




154 g
Hollow

0010




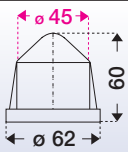

64g

0003




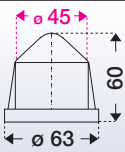

133 g

1086


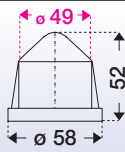
175 g
Hollow
Aluminium shaft 2xM4

1066

192 g
Aluminium shaft M6

0002

120 g



IV. Pad List with Photos

0120

124 g

0042

179 g

0009

122 g

0715

214 g

0058

249 g

0047

306 g

0060

302 g

0182

312 g

0065

396 g

0055

550 g

0311

366 g

0063

492 g



IV. Pad List with Photos

1.3 ROUND - Cylindrical with Conical Print Surface (continued)

0025



614 g

1209



450 g

0597



1514 g

0026



1023 g

0450



848 g
Hollow

0781



1230 g
Hollow