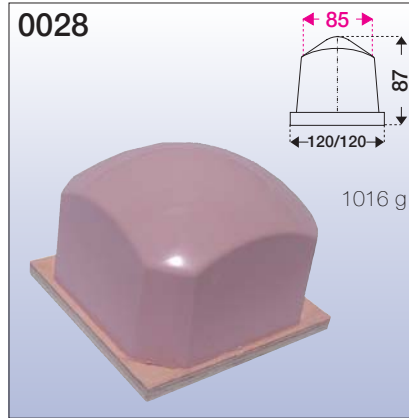
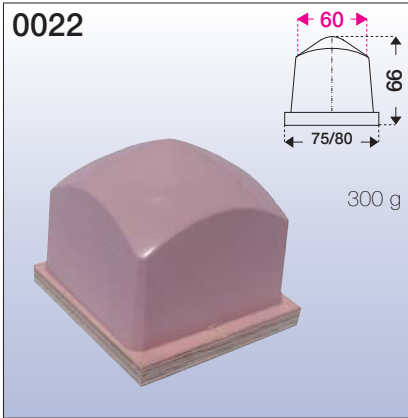


Group 3



IV. Pad List with Photos



Group 4



4.1 RECTANGULAR - Saddle

